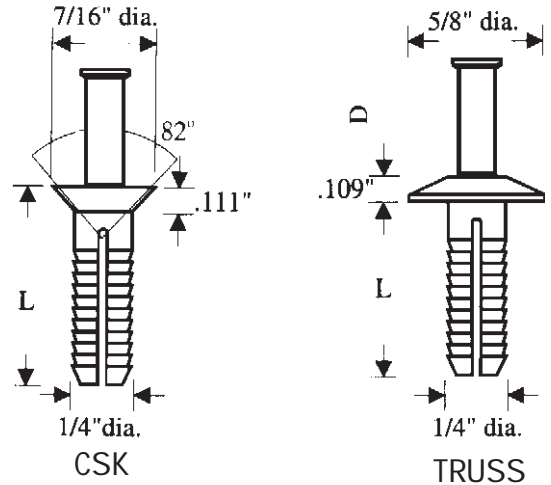


INSULATING BLIND DRIVE RIVETS



Part Number: B16 + Code

CODE	LENGTH "L"	STYLE	THICK "D"	GRIP RANGE MIN.	GRIP RANGE MAX.	PLASTIC RIVET COLOR	PIN
001	3/4	TRUSS	.109	1/16	1/2	NATURAL	ALUMINUM
002	3/4	TRUSS	.109	1/16	1/2	BLACK	ALUMINUM
003	3/4	TRUSS	.109	1/16	1/2	NATURAL	PLASTIC
004	3/4	TRUSS	.109	1/16	1/2	BLACK	PLASTIC
005	3/4	TRUSS	.109	1/16	1/2	WHITE	PLASTIC
006	3/4	CSK	.111	3/16	1/2	NATURAL	ALUMINUM
007	3/4	CSK	.111	3/16	1/2	NATURAL	PLASTIC
008	3/4	CSK	.111	3/16	1/2	WHITE	PLASTIC
009	1	TRUSS	.109	1/4	3/4	NATURAL	ALUMINUM
010	1	TRUSS	.109	1/4	3/4	NATURAL	PLASTIC
011	1	TRUSS	.109	1/4	3/4	WHITE	PLASTIC
012	1	CSK	.111	1/4	3/4	NATURAL	ALUMINUM
013	1	CSK	.111	1/4	3/4	NATURAL	PLASTIC
014	1	CSK	.111	1/4	3/4	WHITE	PLASTIC
015	2	TRUSS	.131	1-5/16	1-7/8	WHITE	PLASTIC
016	3	TRUSS	.131	2-5/16	2-7/8	WHITE	PLASTIC
017	4	TRUSS	.131	3-5/16	3-7/8	WHITE	PLASTIC

- Drive pin/nylon body assembly, all plastic
- One blow sets rivet, no need for special tools
- Large grip capacity allows multi-thickness, single rivet size fastening
- Corrosion, vibration resistant
- Ideal for insulating, such as refrigeration liners